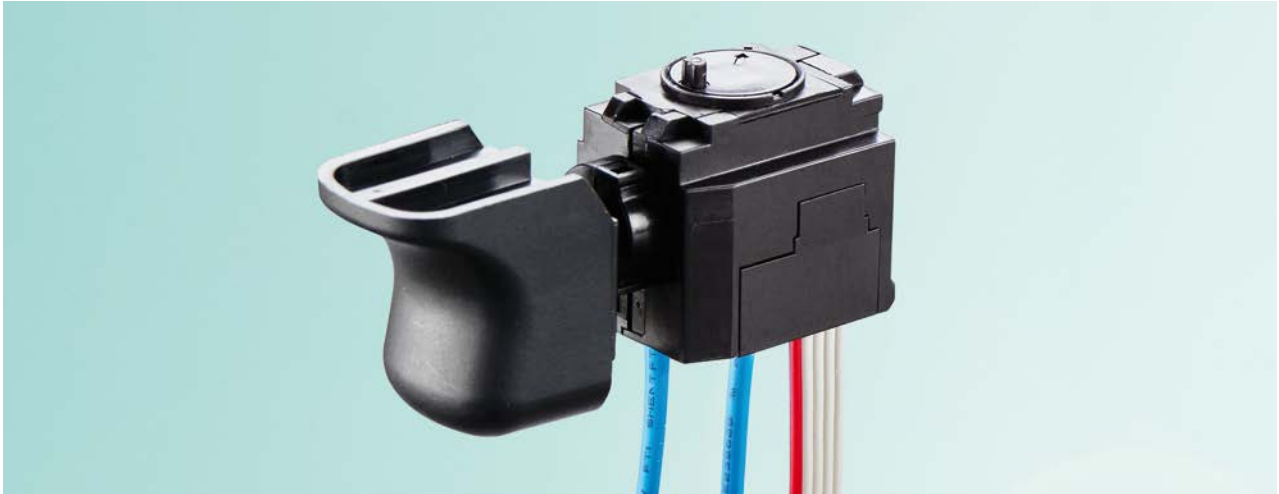




# SERIES 2722 – DC POTENTIOMETER SWITCH

WITH DUST PROTECTION (IP50)



## ADVANTAGE


- Multiple applications**
- Stepless speed adjustment**
- High power density**
- Hall sensor signal transfer**
- Perfect handle ergonomics**
- Suitable for harsh environments**
- Customized solutions**
- Reduced assembly handling**
- Perfect haptics**

## PRODUCT FEATURES

- For brushless Power Tools and Garden Tools
- Linear potentiometer for smooth speed selection
- Power ON contact
- Signal forward and reverse contact
- Optimized, compact shape allows slim handle designs
- High dust protection (IP 50)
- IP 56 available on request
- Wires can be varied to individual needs; signal main contact available
- Easy switch integration and connection due to preassembled wires
- Robust trigger allows stable and strong trigger guidance

## EXAMPLES OF APPLICATION

- DC Drill drivers
- DC Impact drivers
- Reciprocating tools
- Cutting tools
- Garden tools
- Industrial applications

Rating	15 A 24 V DC
Life endurance	
→ Mechanical life	100,000 cycles
→ Electrical life	50,000 cycles
Poles	Single-pole
Contact system	SPNO
Reversing switch	Signal forward / reverse
Protection type	→ IP 50 → IP 56 on request
Materials	
→ Actuator and additional actuator	Trigger: PA glass fiber-reinforced
→ Housing	Cap: PA glass fiber-reinforced, black Socket: PA glass fiber-reinforced, black
Contact distance	≥ 2.3 mm
Contact resistance linear	R = 30 kOhm ± 20%
Approval marks	 (UL 61058-1)
Suitable for appliances of protection class II	



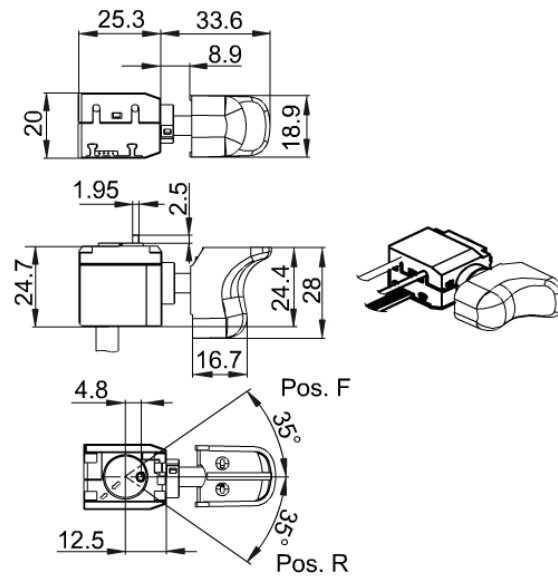
# SERIES 2722 – DC POTENTIOMETER SWITCH

WITH DUST PROTECTION (IP50)

## DRAWINGS

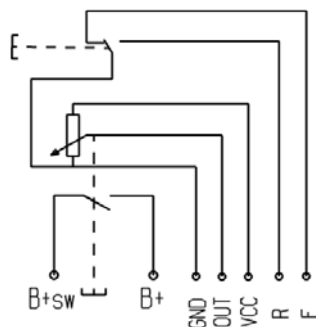
(Dimensions in mm)

2722.0201

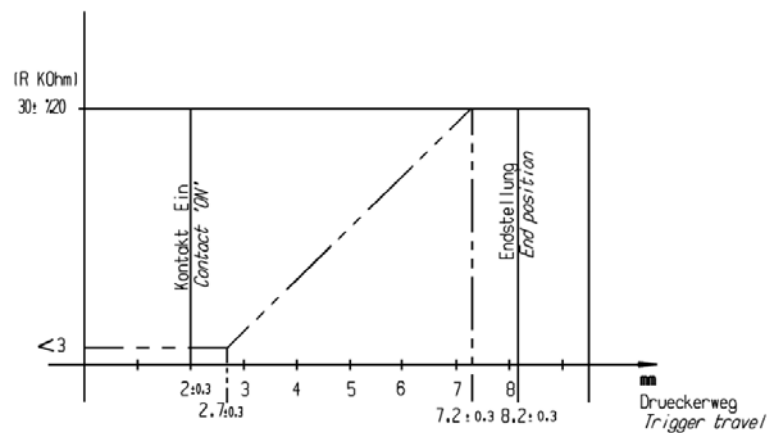


## CHARACTERISTIC LINE

2722.0201



SCHEMATIC DIAGRAM



TRAVEL DIAGRAM



**MARQUARDT**

Marquardt Verwaltungs-GmbH · Ernst Müller-Str. 7 · 8201 Schaffhausen · Switzerland  
Phone +41 (52) / 644 30 00 · Fax +41 (52) / 644 30 60 · info@marquardt.ch · www.marquardt.ch