



# SERIES 1248 – PUSHBUTTON SWITCH



## ADVANTAGE

- **Compact shape**
- **High level of reliability**
- **Suitable for harsh environment**
- **High rating**
- **Optimized performance**
- **Numerous versions**

## PRODUCT FEATURES

- Pushbutton switch for indirect actuation
- Optimized and durable contact system
- High dust protection due flexible cover sealing
- Contact system for AC applications with DC capabilities
- Double-pole system ensures high level of safety
- With and without suppression capacitor

## EXAMPLES OF APPLICATIONS


- Power tools
- Garden tools
- Industrial applications
- Household appliances

Rating	10 (10) / 250 ~ 14 (14) / 127 ~ 8 RA 127 V DC
Life endurance → Mechanical life → Electrical life	100,000 cycles 50,000 cycles
Poles	Double-pole
Contact system	DPNO
Terminal type → Mains supply → Motor side → Suppression capacitor	Screw terminal Flat terminal Plug-in terminal
Actuating travel	Approx. 6 mm
Actuating force	Approx. 15 N
Retension force	≥ 5 N
Mounting	Insertion / alternatively with mounting ribs
Suppression capacitor	Optionally integrated
Protection type	IP 40 / actuator side sealed
Approval marks (ENEC, UL)	
Suitable for appliances of protection class II	



# SERIES 1248 – PUSHBUTTON SWITCH

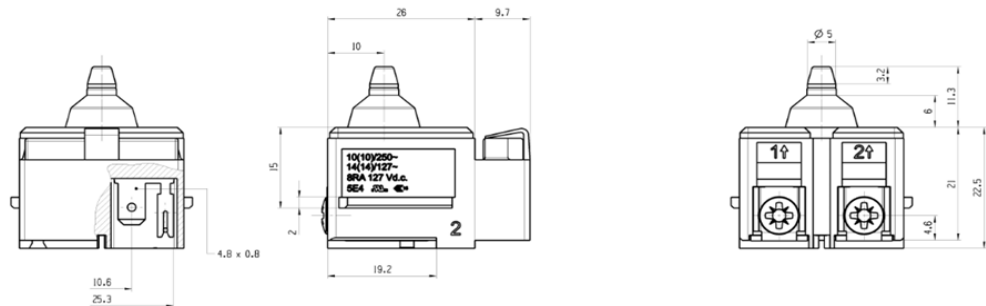
## VARIANTS

Basic type	Switching function	Terminal type	Rating	Miscellaneous
1248.3101	2-pole ON/OFF	Screw / Plug-in	10 (10) / 250 V AC 5E4 8R A 127 V DC 5 E4	With suppression capacitor C = 0,22 µF
1248.3202	2-pole ON/OFF	Screw / Plug-in	14 (14) 127 V AC 5E4 ENEC, c  us	Without suppression capacitor

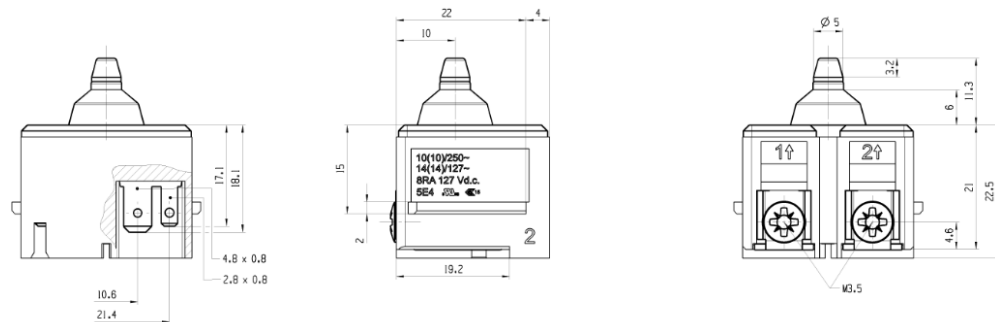
## DRAWINGS

(Dimensions in mm)

1248.3101



1248.3202



## CIRCUIT



# MARQUARDT

Marquardt Verwaltungs-GmbH · Ernst Müller-Str. 7 · 8201 Schaffhausen · Switzerland  
 Phone +41 (52) / 644 30 00 · Fax +41 (52) / 644 30 60 · info@marquardt.ch · www.marquardt.ch