



SERIES 2269 – AC / DC HAMMER SWITCH



ADVANTAGE

Extremely slim design

High AC and DC rating

Suitable for harsh environment

Perfect handle ergonomics

Optimized for assembly

Best haptics

PRODUCT FEATURES

- High-power „slim line“ switch, especially designed for large combi hammers and hammer drills with highly ergonomic D-handle designs
- Double pole contact system with 8 silver contacts for safe switching off under high loads
- Highest dust protection for extreme applications under severe conditions
- Slim switch shape enables slim handle designs with a high extent of rubber filling to absorb vibrations
- Mains and motor terminals at rear side of switch for easier wiring in the D-handle application, connector block
- Significant haptics due to strong “click“ action

EXAMPLES OF APPLICATIONS

- Hammer drills
- Combi hammers
- Chisel hammers
- Demolition hammers
- Other power tools



Customer specific version

Maximum rating	20 (20) A 127 V AC – 12 (12) A 250 V AC 20 A 127 V DC
Inrush peak current (inductive)	120 A
Life endurance → Mechanical → Electrical	> 100.000 cycles > 50.000 cycles (depending on load)
Poles	Double-pole, double-gap snapping contact system
Contacts	Silver, 8 contacts
Mounting	Insertion
Dust protection	IP 40 / Bellow-type seal around actuation lever, high overlapping of upper and lower housing (labyrinth system)
Terminal type → Line side → Motor side	Plug-on 6.3 x 0.8 mm Suitable for connector block
Approval marks (ENEC, UL, CSA)	
Suitable for appliances of protection class II	



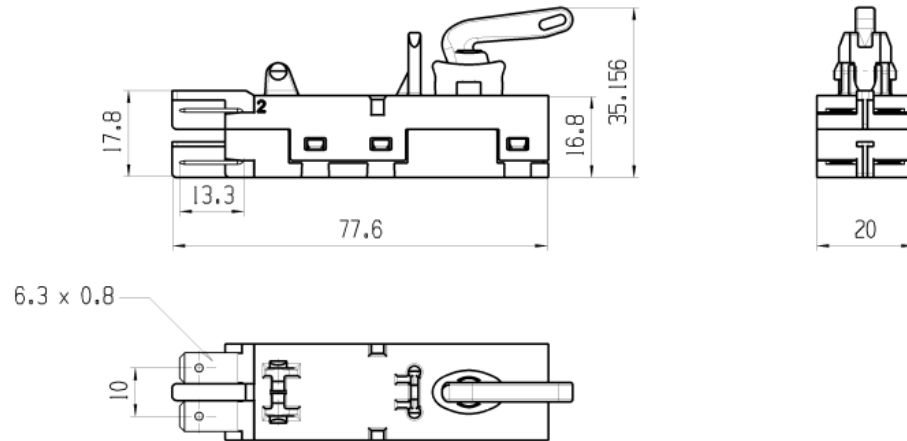
SERIES 2269 – AC / DC HAMMER SWITCH

VARIANTS

Basic type	Switching function	Terminal type
2269.2101	Double-pole ON/OFF	Plug-on 6,3 x 0,8 mm
Other versions on request.		

DRAWINGS

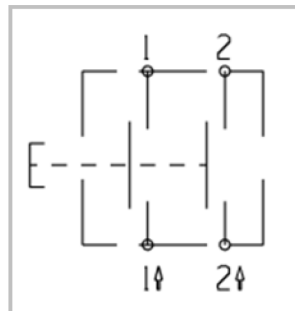
(Dimensions in mm)



Shown without actuator

CIRCUIT

(2269.2101)



MARQUARDT