



# SERIES 1249 – AC / DC SWITCH



## ADVANTAGE

- **High level of safety and reliability**
- **Suitable for harsh environment**
- **High AC and DC rating**
- **High switching reliability**
- **Numerous versions**

## PRODUCT FEATURES

- Pushbutton switch for indirect actuation for high-end AC and DC applications
- High dust protection due to elastic cover sealing
- Up to 15 (15) A 127 V AC 5E4 (AC) and up to 25 A 24 V (DC)
- The strongly snapping double pole contact system ensures safe cutting of the arc even at high DC loads
- Various terminal configurations available, with and without suppression capacitor

## EXAMPLES OF APPLICATIONS

- Power tools
- Industrial applications
- Garden tools
- Household appliances

Maximum rating	8 (8) A 250 V AC 5E4 15 (15) A 127 V AC 5E4 14 A 127 V DC 25 A 24 V DC
Life endurance	> 100.000 cycles
→ Mechanical	> 50.000 cycles
→ Electrical	
Poles	Double-pole, double-gap snapping-contact
Contacts	Silver, 8 contacts
Actuating travel	Approx. 6 mm
Mounting	Insertion
Suppression capacitor	Optionally integrated
Dust protection	IP 40 / actuator side sealed
Terminal type	
→ Line side	Screw terminals M 3,5; optionally plug-on 4,8 x 0,8 mm
→ Motor side	Plug-on terminals 4,8 x 0,8 mm
→ Suppression capacitor	Plug-on terminals 2,8 x 0,8 mm
Approval marks (ENEC, UL, CSA)	
Suitable for appliances of protection class II	



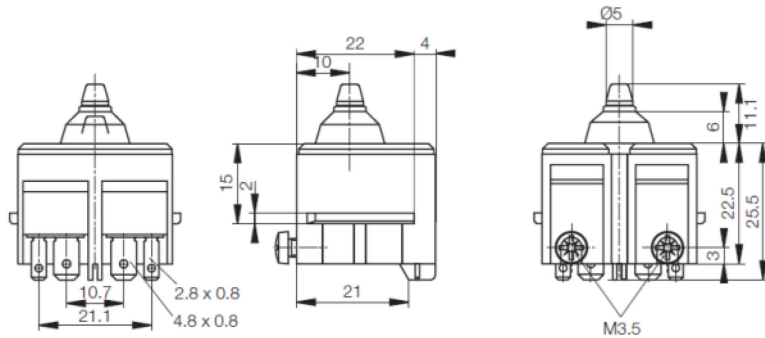
## VARIANTS

Type	Switching function	Terminal type	Miscellaneous
1249.0101	Double-pole ON/OFF	Screw/Plug-on	With suppression capacitor 0,22 µF, 275 V AC
1249.0201	Double-pole ON/OFF	Screw/Plug-on	

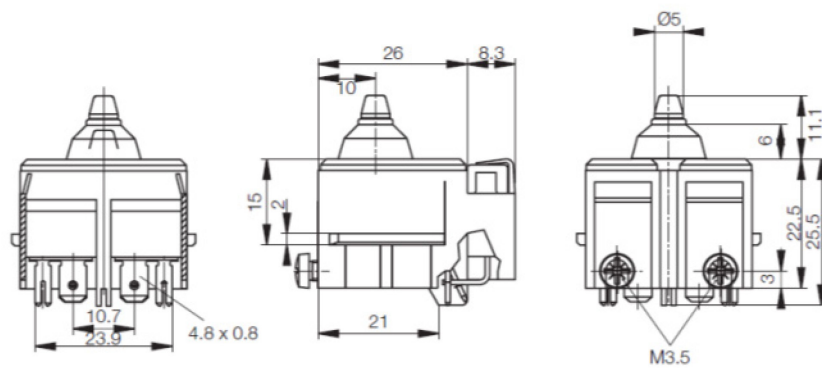
## DRAWINGS

(Dimensions in mm)

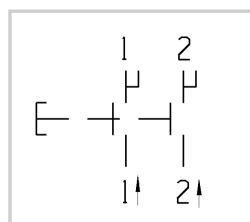
1249.0101



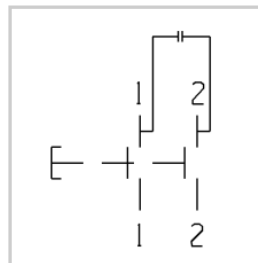
1249.0201



## CIRCUIT



1249.0101



1249.0201



# MARQUARDT