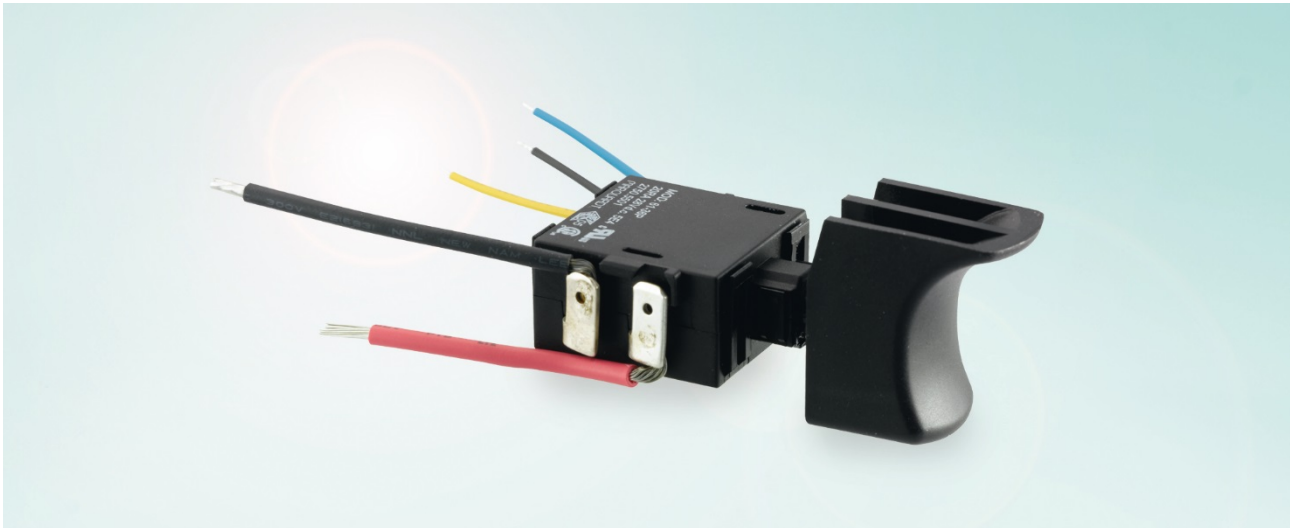




# SERIES 2750 – DC POTENTIOMETER SWITCH



## ADVANTAGE

**Mini Pot-switch**

**High rating**

**Space optimized for battery pack**

**Suitable for harsh environment**

**High quality**

**Numerous versions**

## PRODUCT FEATURES

- Small stepless potentiometer switch for „Pocket Tools“ ranging from 9,6 to 14,4 V DC
- Reinforced design, suitable for up to 20 A 28 V DC
- Switching housing votated by 90 °C
- High dust protection
- Worldwide approvals
- Optionally with or without adapted reversing switch brake contacts (Quick Brake)

## EXAMPLES OF APPLICATION

- DC drill driver (pocket tools)
- Reciprocating tools
- Brushless drill drivers
- Impact drivers
- Household appliances
- Garden tools

Rating	15 A 24 V (standard version) 20 A 28 V DC (reinforced design)
Life endurance	> 50,000 cycles
→ Mechanical	> 50,000 cycles (depending on the load)
→ Electrical	
Poles	Single-pole NO, reversing switch double pole
Contacts	Silver
Contact gap	> 3 mm
Mounting	Insertion
Actuators	Standard or customized
Terminal type	
→ Battery	Plug-on 4,8 x 0,8 mm with welded wires
→ Potentiometer	Wires
Approval marks ( UL, CSA, ENEC)	



# SERIES 2750 – DC POTENTIOMETER SWITCH

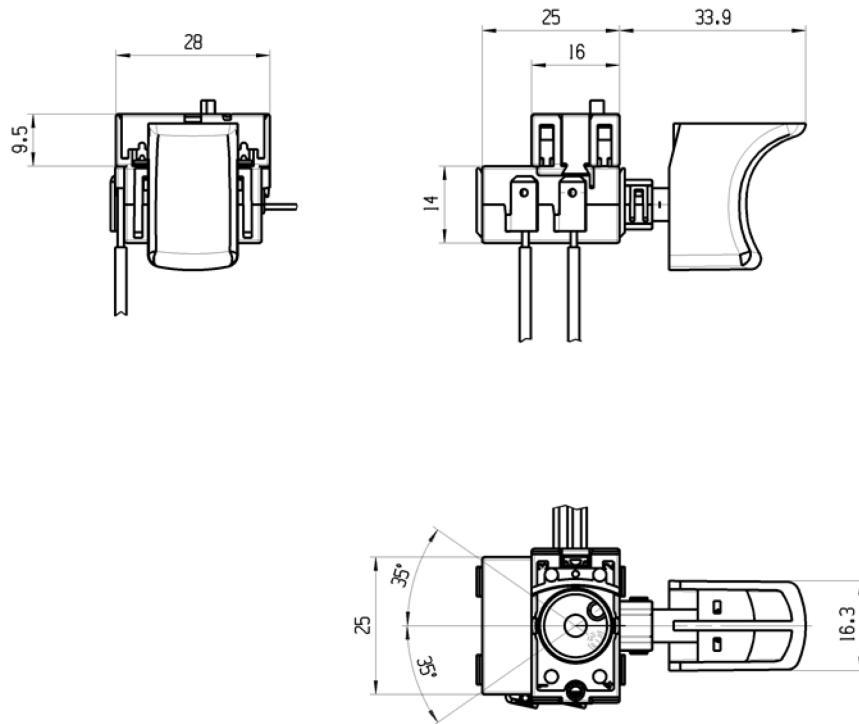
## VARIANTS

Basic type	Switching function
2750.0101	Pot-switch single-pole
2750.5101	Pot-switch single-pole and changeover switch

## DRAWINGS

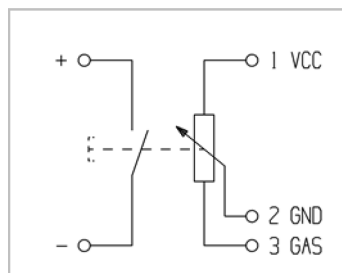
(Dimensions in mm)

2750.5101



## CIRCUIT

2750.5101



# MARQUARDT

Marquardt GmbH • Schloss-Straße 16 • 78604 Rietheim-Weilheim • Germany  
Phone +49 (0) 74 24 / 99-0 • Telefax +49 (0) 74 24 / 99-23 99 • [marquardt@marquardt.de](mailto:marquardt@marquardt.de) • [www.marquardt.com](http://www.marquardt.com)