



# SERIES 2061 – FLOW SENSOR



## ADVANTAGE

- Suitable for household appliances**
- Robust design**
- Optimized measuring range**
- High endurance**
- High signal accuracy**

## PRODUCT FEATURES

- Flowmeter for house or drinking water with pulse output
- Long life paddlewheel design
- Pulse rate can be optimized for individual flow environment
- 200 m<sup>3</sup>
- Standard accuracy of  $\pm 3\%$  FS

## EXAMPLES OF APPLICATION

- Washing machines
- Dishwasher
- Cleaning equipment
- Laboratory devices
- Industrial applications
- Catering appliances

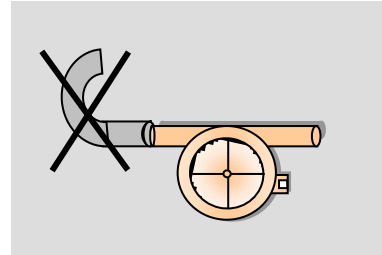
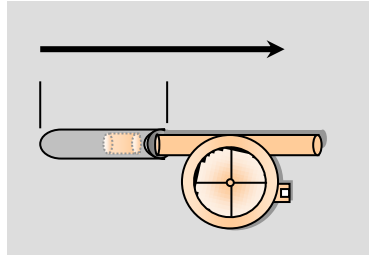
Measuring range	2 – 15 l/min.
Max. supply voltage	5 V DC
Max. supply current	5 mA
Standard output signal	219 pulses/liter
Tolerance	2 – 4 l/min. $\pm 5\%$ , 4 – 15l/min. $\pm 3\%$
Characteristic pressure drop	< 0.4 bar @10l/min.
Rupture pressure	8 bar
Life endurance	200 m <sup>3</sup>
Temperature range	+5 °C ... +70 °C
Material housing	POM
Terminal type	Hose connectors: 13 mm / 0.5 (inside diameter hose)



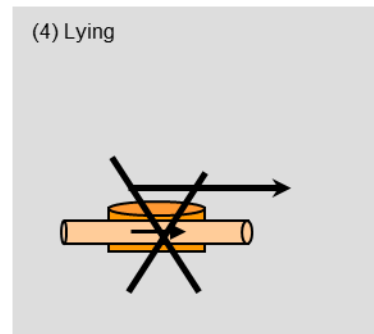
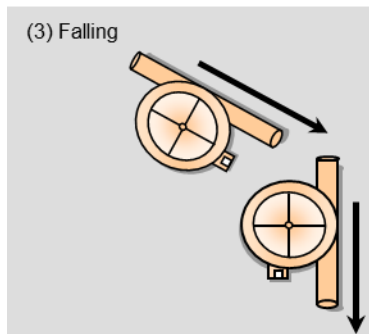
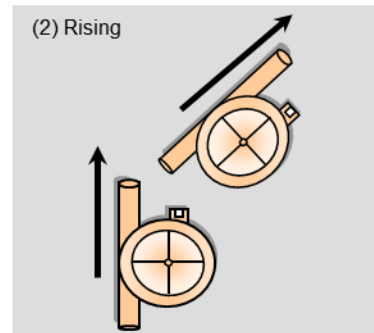
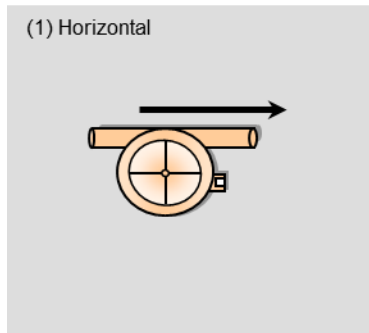
## VARIANTS

Part number	Pulse switch	Terminal type
2061.1201	Reed contact	Rast 2.5

## FEED LINE



## INSTALLATION POSITION



# MARQUARDT