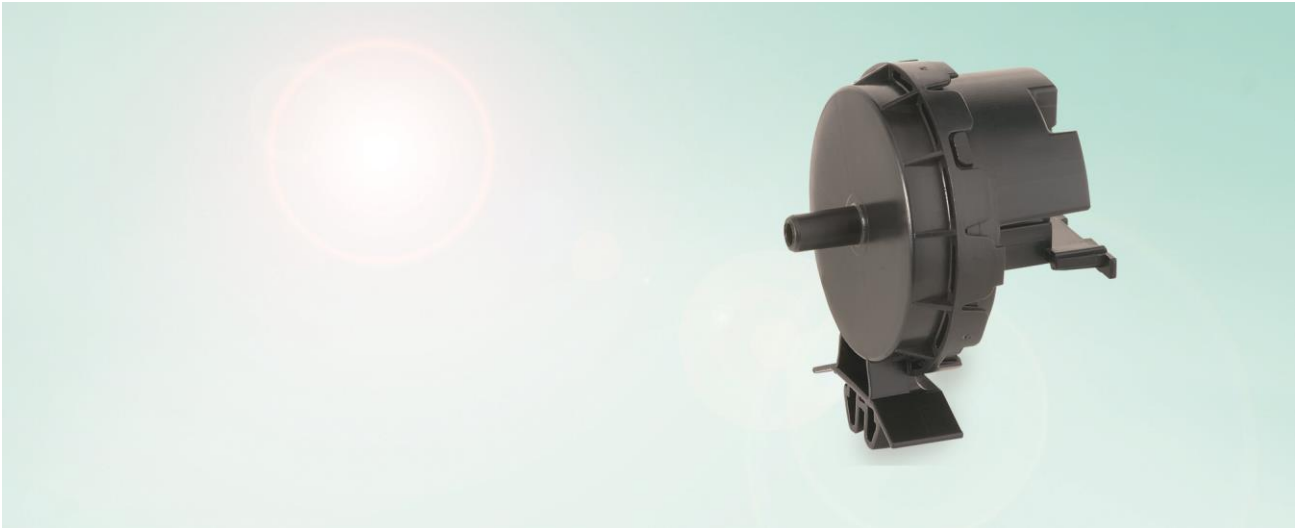




SERIES 2066.01XX – PRESSURE SENSOR



ADVANTAGE

- Suitable for household appliances**
- High level of safety and reliability**
- High quality**
- Wide rating range**
- Numerous versions**

PRODUCT FEATURES

- Precise measurement of levels
- Simple and robust structure, long-term stability
- Fully automatic 100% final test and calibration
- Frequency output
- Different assembly geometries and measuring ranges on request

EXAMPLES OF APPLICATION

- Washing machines
- Tumble dryers
- Dishwasher

Medium	Air, neutral gases
Measuring range	0 – 3.000 Pa
Max. permissible overpressure	10 kPa
Power supply	5 V DC ± 0,25 V
Operating temperature range	-5 °C ... +70 °C -25 °C ... +70 °C on request
Storage temperature range	-40 °C ... +80 °C
Position error absolute → 90 °C → 180 °C	Ca. 60 Pa Ca. 120 Pa
Materials → Housing → Membrane	POM Silicone

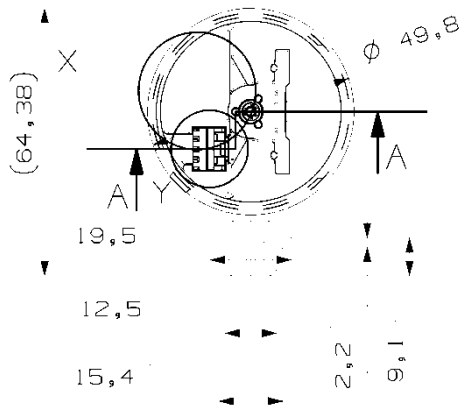
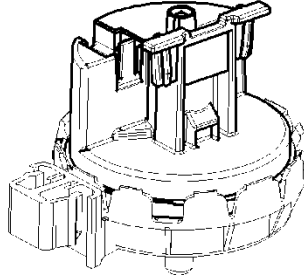


SERIES 2066.01XX – PRESSURE SENSOR

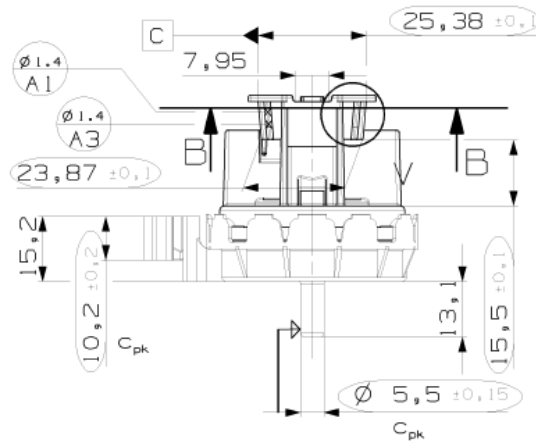
DRAWINGS

(Dimensions in mm)

2066.0104



2066.0104 view 90°



MARQUARDT