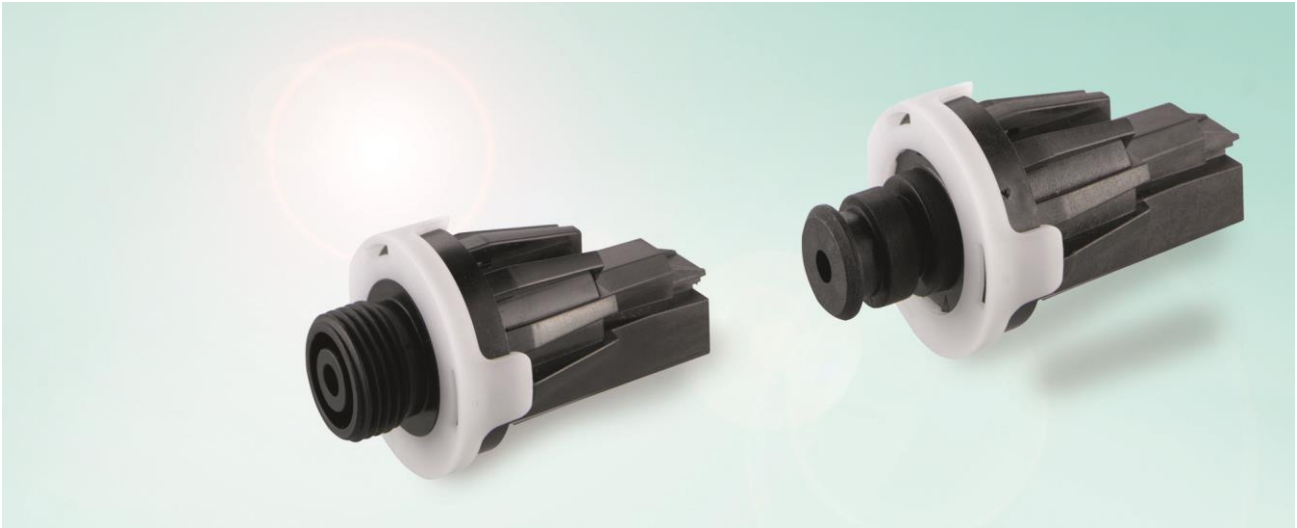




SERIES 2066.31XX – PRESSURE SENSOR MEGAPASCAL

LIQUID AND GAS PRESSURE MEASURING



ADVANTAGE

High endurance

Suitable for high pressure load

Approved for drinking water

High quality

Numerous versions

PRODUCT FEATURES

- More than 100,000 pressure change cycles in a pressure range to 10 bar, useful life of more than 15 years
- Withstands high overload and burst pressure and freezing of the measured medium
- Materials with direct medium contact are certified e.g. according to KTW, WRAS, ACS, FDA etc.
- Fully automatic 100 % final test and calibration
- Different versions available (measuring range, output signal, supply voltage, mechanical and electrical connection)

EXAMPLES OF APPLICATION

- HVAC technology
- Drinking water
- Sanitary processes
- Heat pumps
- Solar water heating systems
- Regulated pumps and valves
- Level measuring

Medium	Air, water, heated water
Measuring range	0-10 bar / 0-145 psi / 0-1 MPa
Maximum pressure	26 bar / 377 psi / 2,6 MPa (15 min.)
Burst pressure	> 42 bar / 609 psi / 4.2 MPa
Characteristic /Tolerance* at 5.00 V (ratiometric) → Lower tolerance limit → Ideal characteristic → Upper tolerance limit	$U_{min} [V] = 0.276 [V/bar] \times p [bar] + 0.375 [V]$ $U_{nom} [V] = 0.300 [V/bar] \times p [bar] + 0.500 [V]$ $U_{max} [V] = 0.324 [V/bar] \times p [bar] + 0.625 [V]$ (0.356 [V/bar] x p [bar] + 0.625 [V] after life endurance test)
Flange material	Grivory (KTW, WRAS, FDA, ACS, NSF61+51 certified)
Membrane material	EPDM (FDA, ACS, 3A Sanitary certified)
Life endurance (mechanical/electrical)	100,000 pressure cycles (10 bar)
Medium temperature (water)	+2 °C ... +90 °C
Ambient temperature	-10 °C ... +70 °C
Storage temperature	-40 °C ... +90 °C
Supply voltage	5 V DC (ratiometric)
Maximum power consumption	< 14 mA (12 mA typ.)
Maximum output load	1 kOhm / 1 nF
Terminal*	Rast 2.5 / 3-pole



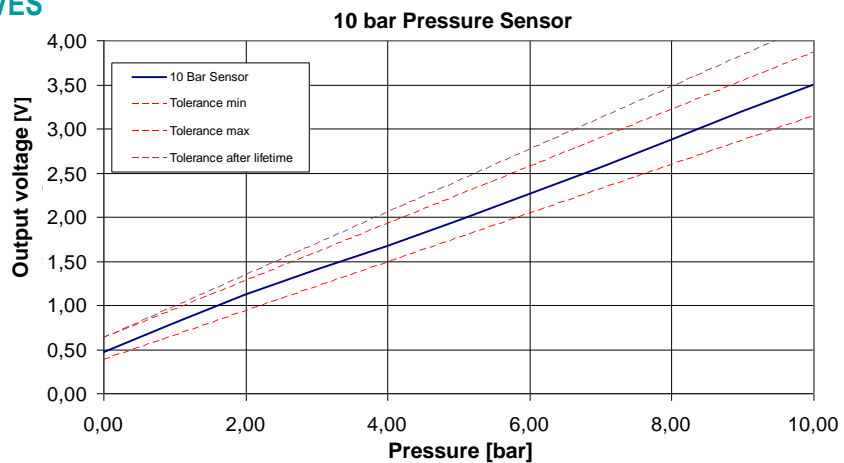
SERIES 2066.31XX – PRESSURE SENSOR MEGAPASCAL

LIQUID AND GAS PRESSURE MEASURING

VARIANTS

Part number	Supply voltage	Electrical connection	Mechanical connection output signal
2066.3101	5 V DC ± 0.25 V	Rast 2.5 / 3-pole	Screw flange / external thread G 3/8" $U_{nom} [V] = 0.300 [V/bar] \times p [bar] + 0.500 [V]$
2066.3102	5 V DC ± 0.25 V	Rast 2.5 / 3-pole	Plug-on flange $U_{nom} [V] = 0.300 [V/bar] \times p [bar] + 0.500 [V]$

CHARACTERISTIC CURVES



PRODUCT IMAGES



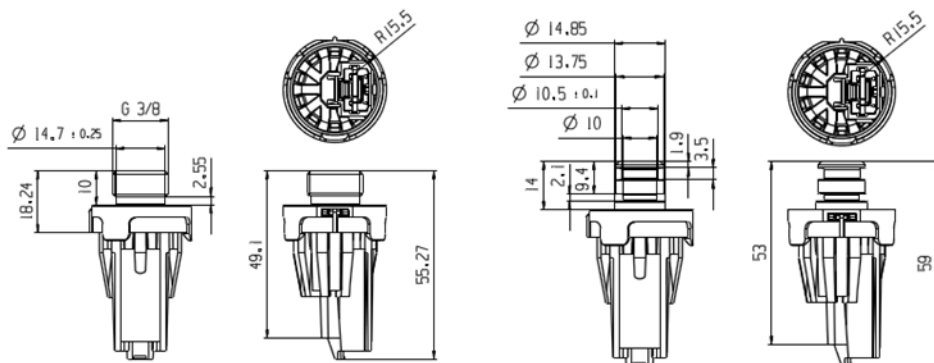
2066.3101



2066.3102

DRAWINGS

(Dimensions in mm)



2066.3101

2066.3102

