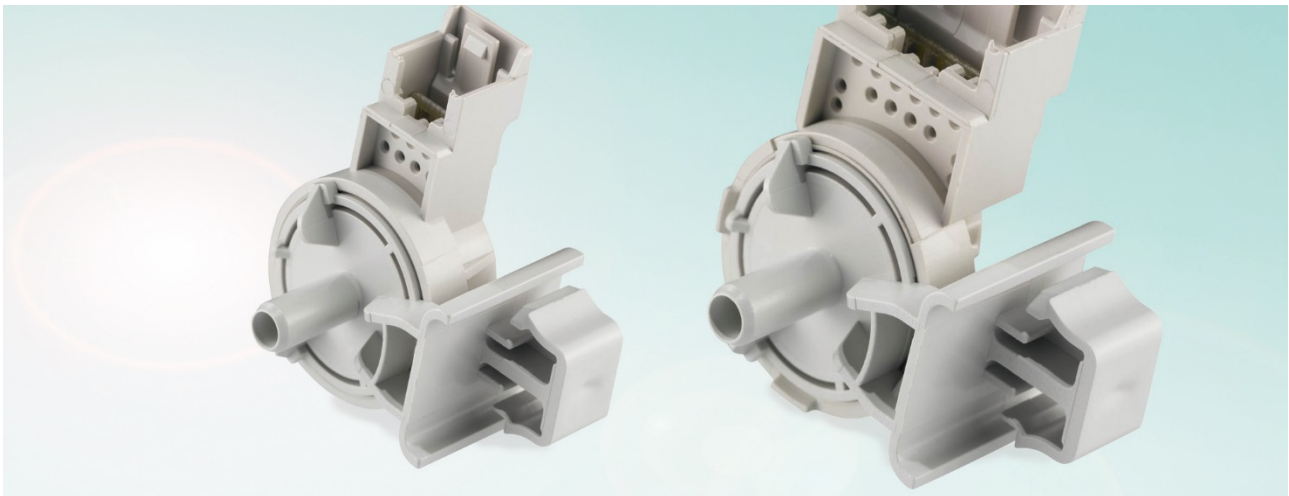




SERIES 2066 – PRESSURE SENSOR SINUS



ADVANTAGE

Multi-purpose versatility

Simple signal evaluation

Easy implementation of safety concepts

Variable output signals


High signal accuracy

PRODUCT FEATURES

- For pressure, level and flow sensing by differential pressure
- Built-in temperature compensation, programmable output curve
- Three programmable switching outputs (optional)
- Analog, frequency or PWM output signal
- Accuracy of $\pm 3.5\%$ total tolerance (higher accuracies on request)

APPLICATION EXAMPLE

- Washing machines
- Dish washers
- Cleaning devices
- Industrial applications

Measuring range	0 ... 3500 Pa 0 ... 356.8 mm water column Other ranges on request
Power supply	4.5 V ... 5.5 V
Medium	Air, neutral gases (0 ... 95 % relative humidity) Special variants for direct water contact on request
Typical installation orientation	Hose connector downwards
Electrical connection	RAST 2.5 (3 pol)
Definition of the outputs	Adaptable to customer requirements
Max. / Min pressure (30 sec.)	± 10 kPa (without damage to the sensor)
Temperature range	+5 °C ... +75 °C Extended range on request.
Storage temperature	-40 °C ... +85 °C (max. 6 months)
RoHS / REACH	In accordance with the provisions
Approval marks	 UL 60730
Protection class 2 according DIN EN 60335-1	



BASIC TYPES

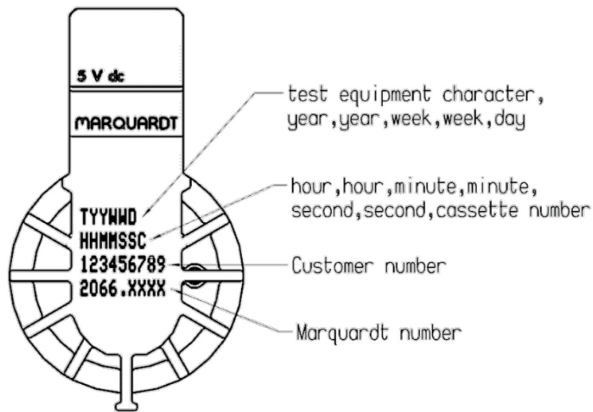
Basic type	Output signal	Pin 1	Pin 2	Pin 3	Nominal characteristic	Mounting
2066.03xx	Frequency	OUT	GND	VDD	0 – 2943 Pa (0 - 300 mmWs) → 44.30 – 35.39 Hz	Snap latch
2066.04xx	Analog	VDD	OUT	GND	0 – 3432 Pa (0 - 350 mmWs) → 0.35 – 3.78 V	Snap hooks
2066.05xx	PWM	VDD	OUT	GND	0 – 2452 Pa (0 - 250 mmWs) → 23.3 % - 90 % PWM	Snap hooks

Other signal outputs, pressure ranges and mounting options on request

DRAWINGS

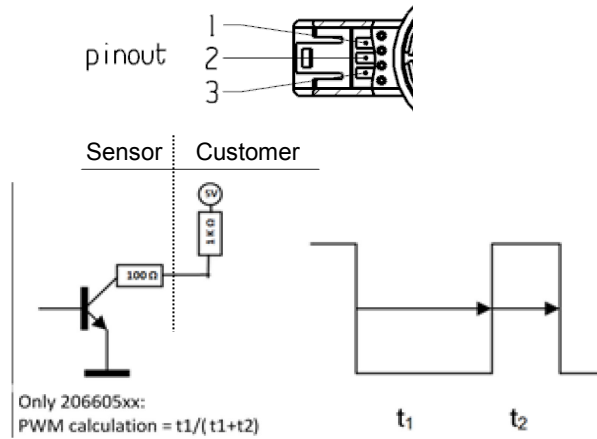
(Dimensions in mm)

1. General information



2. Electrical connection

Connection for RAST 2,5



3. Mechanical adaption

