

INTELLI-CONTROL MODULES PLATFORM



MARQUARDT OFF-ROAD VEHICLE CONTROL - FOR SAFER AND MORE INTUITIVE OPERATION UNDER ANY CONDITION.

Introducing the marquardt family of Intelli-Control Modules. A compact, CAN-enabled, modular platform with a highly configurable, differentiated and brand-defining operator experience, to drive the future of off-road vehicles.

FEATURES



- Marquardt automotive expertise for superior haptics in the harshest environments
- Ergonomic design for easy location and optimized "blind" / intuitive operation
- First-class feel / high-quality haptics
- Great functionality within a small package size

JOG MODULE

SERIES 3362



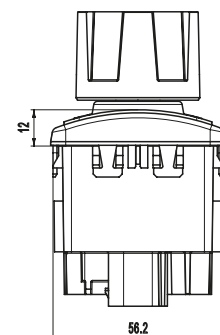
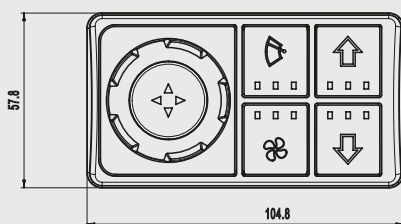
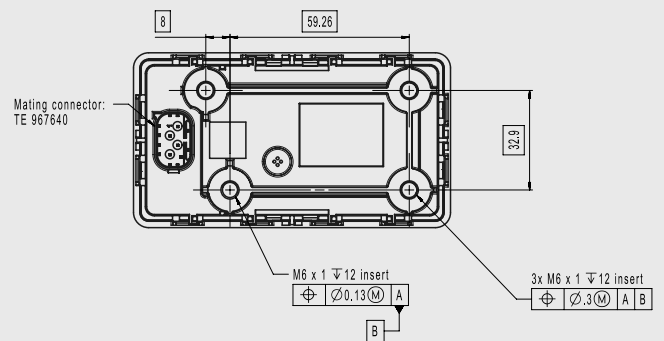
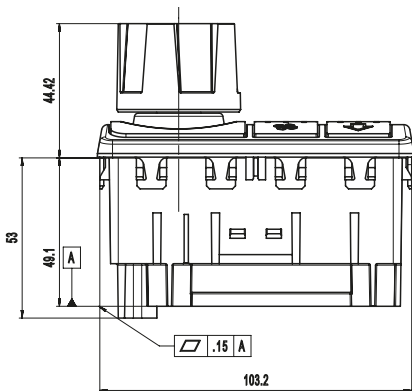
Rotating and Pressing of knob
with superior haptic experience

4 Button Keypad with Indicators

TECHNICAL INFORMATION

Operating Voltage / Supply Voltage:	7.6 to 32 V DC / 12/24 V DC
Communication:	CAN bus J1939
Baud Rate (kbps):	250 / 500
IP Rating:	66K / 67
Length (mm) x Width (mm) x Mounting Depth (mm):	105 x 58 x 53
Knob Type:	Relative encoder with push and tilt
Knob Positions / Detents:	24 / 360°endless
Keypad Buttons:	4
Symbol Illumination:	Backlit momentary push buttons
Function Illumination:	Up to 3 indicators
Operating Temperature:	-40 °C to 85 °C
Mounting Style:	4 threaded bushings (M6)

JOG MODULE



ROTARY MODULE

SERIES 3362



7 Position Rotary Functionality

6 Button Keypad with Indicators

TECHNICAL INFORMATION

Operating Voltage / Supply Voltage:

Communication:

Baud Rate (kbps):

IP Rating:

Length (mm) x Width (mm) x Mounting Depth (mm):

Knob Type:

Knob Positions / Detents:

Keypad Buttons:

Symbol Illumination:

Function Illumination:

Operating Temperature:

Mounting Style:

ROTARY MODULE

7.6 to 32 V DC / 12/24 V DC

CAN bus J1939

250 / 500

66K / 67

133 x 58 x 53

Absolute encoder with push

7 / 105°

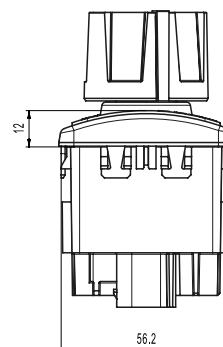
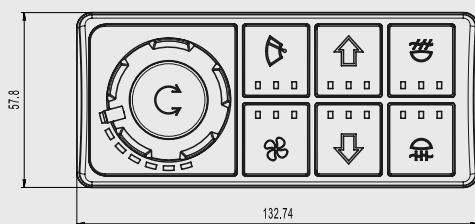
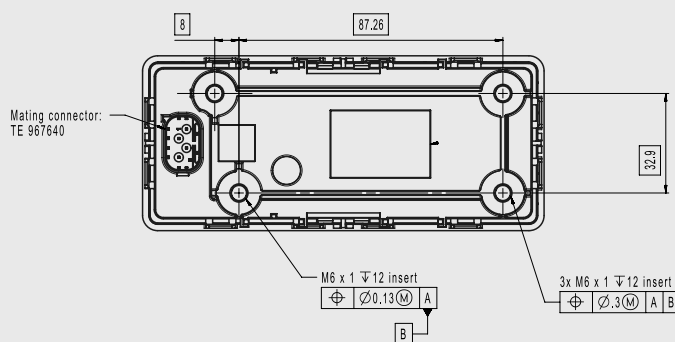
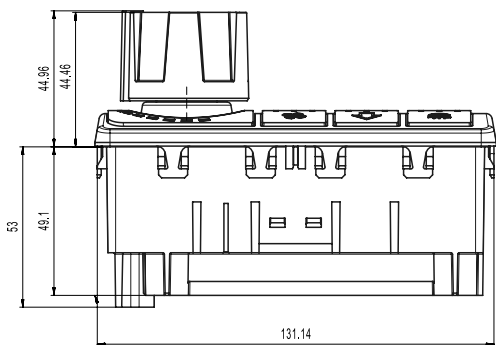
6

Backlit momentary push buttons

Up to 3 indicators

-40 °C to 85 °C

4 threaded bushings (M6)



KEYPAD MODULE

SERIES 3362

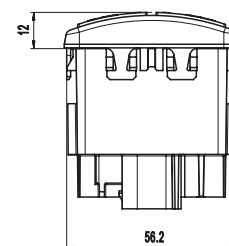
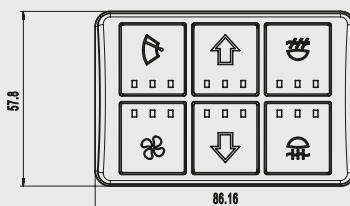
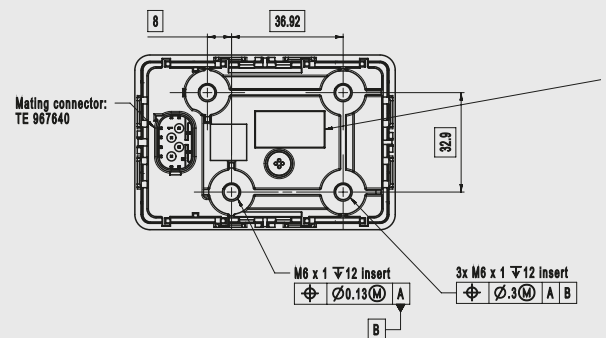
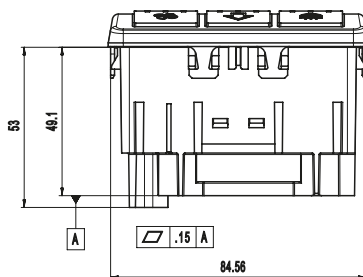


6 Button Keypad with Indicators

TECHNICAL INFORMATION

Operating Voltage:	7.6 to 32 V DC
Supply Voltage:	12 / 24 V DC
Communication:	CAN bus J1939
Baud Rate (kbps):	250 / 500
IP Rating:	66K / 67
Length (mm) x Width (mm):	86 x 58
Mounting Depth (mm):	53
Keypad Buttons:	6
Symbol Illumination:	Backlit momentary push buttons
Function Illumination:	Up to 3 indicators
Operating Temperature:	-40 °C to 85 °C
Mounting Style:	4 threaded bushings (M6)

KEYPAD MODULE



CENTRAL CONTROL UNIT

SERIES 3583



Flexible RGB LED lighting

6 Button Keypad for quick access

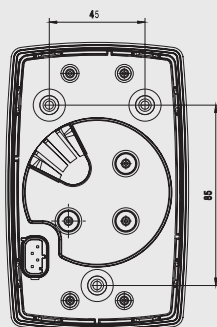
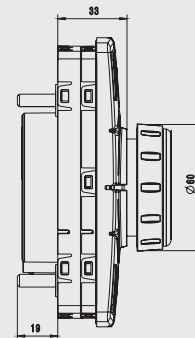
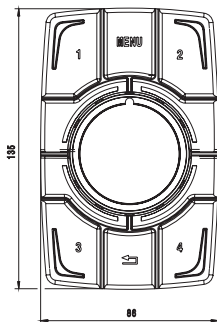
Jog dial with 4-way tilt and touch function with character recognition

TECHNICAL INFORMATION

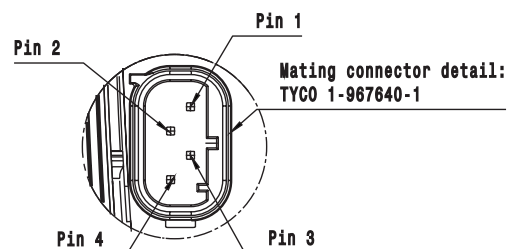
Operating Voltage / Supply Voltage:
 Communication:
 Baud Rate (kbps):
 IP Rating:
 Length (mm) x Width (mm) x Mounting Depth (mm):
 Knob Type:
 Knob Positions / Detents / Keypad Buttons:
 Symbol Illumination:
 Function Illumination:
 Operating Temperature:
 Mounting Style:
 Power Consumption Sleep Mode:
 Connector:
 Lifetime actuations:
 Push / Jog Dial Push / Jog Dial Rotate / Jog Dial Tilt

CENTRAL CONTROL UNIT

9 to 36 V DC / 12/24 V DC
 CAN bus J1939
 250 / 500
 54 (see picture above) / 66
 136 x 86 x 38
 Relative encoder with push and tilt
 24 / 360° endless / 6
 Flexible (White or RGB-LEDs)
 RGB-LED: color/intensity/flashing, Monochrome LED: intensity/flashing
 -40 °C to 85 °C
 3 threaded bolts (M6)
 < 300 µA at 12 V DC
 4-pin MQS
 200,000 / 1,000,000 / 1,000,000 (360°) / 250,000 each direction



Pin no.	Circuit
Pin 1	KL30
Pin 2	GND
Pin 3	CAN HI
Pin 4	CAN LO



INTELLI MODULES



TECHNICAL INFORMATION

JOG MODULE

Operating Voltage:	7.6 to 32 V DC
Supply Voltage:	12 / 24 V DC
Communication:	CAN bus J1939
Baud Rate (kbps):	250 / 500
IP Rating:	66K / 67
Length (mm) x Width (mm):	105 x 58
Mounting Depth (mm):	53
Knob Type:	Relative encoder with push and tilt
Knob Detents:	24 / 360° endless
Keypad Buttons:	4
Symbol Illumination:	Backlit momentary push buttons
Function Illumination:	Up to 3 indicators
Operating Temperature:	-40 °C to 85 °C
Mounting Style:	4 threaded bushings (M6)



ROTARY MODULE

Operating Voltage:	7.6 to 32 V DC
Supply Voltage:	12 / 24 V DC
Communication:	CAN bus J1939
Baud Rate (kbps):	250 / 500
IP Rating:	66K / 67
Length (mm) x Width (mm):	133 x 58
Mounting Depth (mm):	53
Knob Type:	Absolute encoder with push
Knob Detents:	7 / 105°
Keypad Buttons:	6
Symbol Illumination:	Backlit momentary push buttons
Function Illumination:	Up to 3 indicators
Operating Temperature:	-40 °C to 85 °C
Mounting Style:	4 threaded bushings (M6)



TECHNICAL INFORMATION

KEYPAD MODULE

Operating Voltage:	7.6 to 32 V DC
Supply Voltage:	12 / 24 V DC
Communication:	CAN bus J1939
Baud Rate (kbps):	250 / 500
IP Rating:	66K / 67
Length (mm) x Width (mm):	86 x 58
Mounting Depth (mm):	53
Knob Type:	-
Knob Detents:	-
Keypad Buttons:	6
Symbol Illumination:	Backlit momentary push buttons
Function Illumination:	Up to 3 indicators
Operating Temperature:	-40 °C to 85 °C
Mounting Style:	4 threaded bushings (M6)



CENTRAL CONTROL UNIT

Operating Voltage:	9 - 36 V DC
Supply Voltage:	12 / 24 V DC
Communication:	CAN bus J1939
Baud Rate (kbps):	250 / 500
IP Rating:	54 / 66
Length (mm) x Width (mm):	136 x 86
Mounting Depth (mm):	38
Knob Type:	Relative encoder with push and tilt
Knob Detents:	24 / 360°endless
Keypad Buttons:	6
Symbol Illumination:	Flexible (White or RGB-LEDs)
Function Illumination:	RGB-LED: color/intensity/flashing Monochrome LED: intensity/flashing
Operating Temperature:	-40 °C to 85 °C
Mounting Style:	3 threaded bolts (M6)

As a mechatronics expert we connect human and machine with intelligent, electromechanical and electronic systems and components worldwide. Global leading brands from the automotive, electronics and power tool industries rely on Marquardt's expertise for over 95 years.

www.marquardt.com
Marquardt GmbH
Schloss-Straße 16
78604 Rietheim-Weilheim
Germany

Check our website for your personal Sales contact.

get in contact

