

JOG MODULE

SERIES 3362



Rotating and Pressing of knob
with superior haptic experience

4 Button Keypad with Indicators

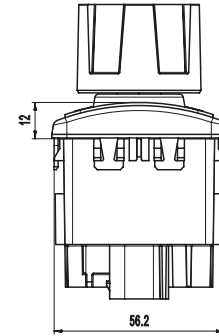
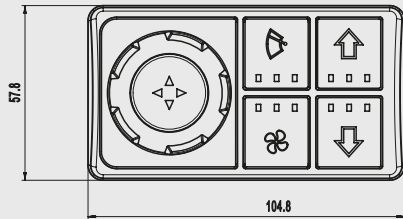
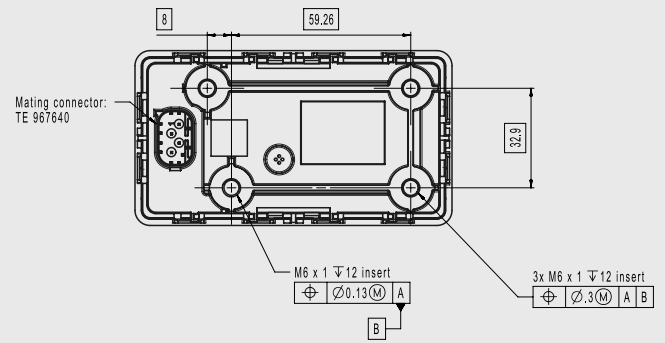
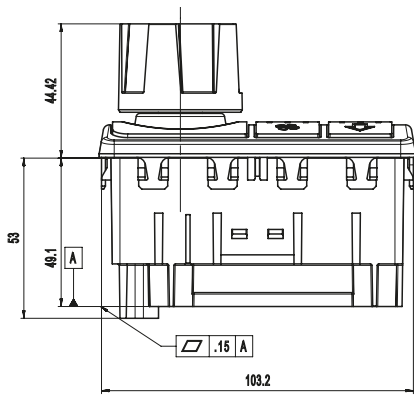
MARQUARDT INTELLI CONTROL MODULES - FOR SAFER AND MORE INTUITIVE OPERATION UNDER ANY CONDITION.

Introducing the Marquardt family of Intelli-Control Modules. A compact, CAN-enabled, modular platform with a highly configurable, differentiated and brand-defining operator experience, to drive the future of off-road vehicles.

FEATURES



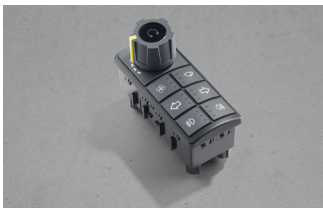
- Marquardt automotive expertise for superior haptics in the harshest environments
- Ergonomic design for easy location and optimized “blind” / intuitive operation
- First-class feel / high-quality haptics
- Great functionality within a small package size



TECHNICAL INFORMATION

Operating Voltage / Supply Voltage:	7.6 to 32 V DC / 12/24 V DC
Communication:	CAN bus J1939
Baud Rate (kbps):	250 / 500
IP Rating:	66K / 67
Length (mm) x Width (mm) x Mounting Depth (mm):	105 x 58 x 53
Knob Type:	Relative encoder with push and tilt
Knob Positions / Detents / Keypad Buttons:	24 / 360°endless / 4
Symbol Illumination:	Backlit momentary push buttons
Function Illumination:	Up to 3 indicators
Operating Temperature:	-40 °C to 85 °C
Mounting Style:	4 threaded bushings (M6)

RELATED PRODUCTS



ROTARY MODULE
Series 3362



KEYPAD MODULE
Series 3362



CENTRAL CONTROL UNIT
Series 3583

ALWAYS IN TOUCH WITH MARQUARDT

As a mechatronics expert we connect human and machine with intelligent, electromechanical and electronic systems and components worldwide. Global leading brands from the automotive, electronics and power tool industries rely on Marquardt's expertise for over 95 years.

www.marquardt.com
Marquardt GmbH
Schloss-Straße 16
78604 Riethem-Weilheim
Germany

Check our website for your
personal Sales contact.

get in contact


MARQUARDT

© Marquardt 09/2021