

GEN 3 LOW PRESSURE SENSOR

SMARTER SUSTAINABILITY FOR HOME APPLIANCES

SERIES 2066

INTEGRATED SENSORS

allow for temperature-triggered adjustments

MICROPROCESSOR

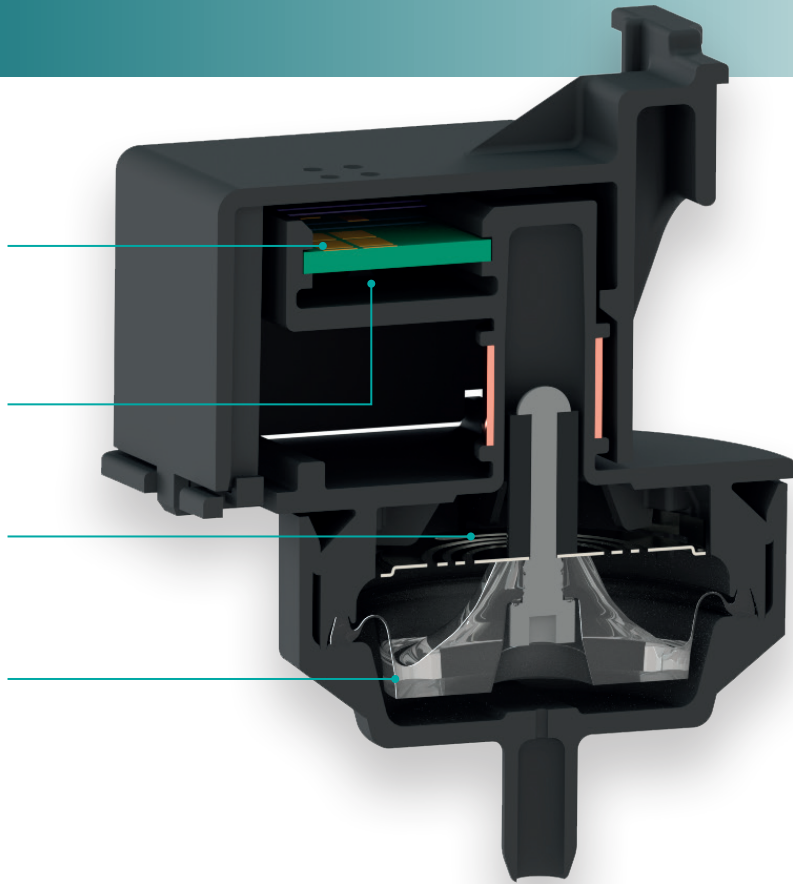
provides onboard intelligence

INDUCTIVE TECHNOLOGY

digitizes data for advanced calculations

LARGER MEMBRANE

for enhanced accuracy even in small amounts of water



CREATE MORE EFFICIENT, SUSTAINABLE, CARBON-FRIENDLY APPLIANCES

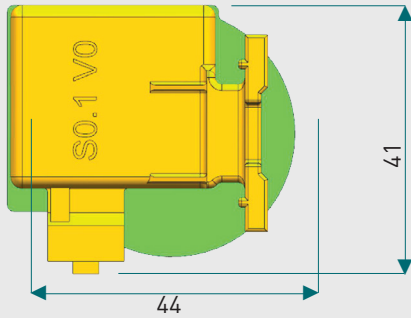
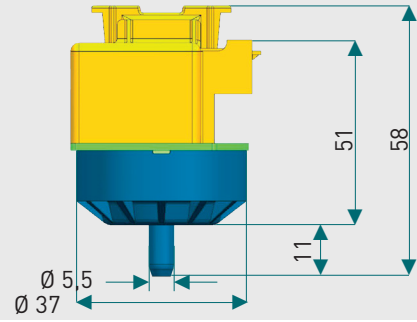
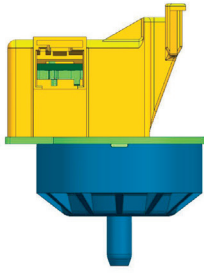
Consumers desire—and governments demand—more efficient appliances that lower energy use and reduce waste. Our new Low Pressure Sensor delivers.

This highly integrated solution uses a larger membrane combined with inductive technology to provide unprecedented accuracy. More accurate measurement of water levels in home appliances translates to greater energy efficiency and an elevated user experience.

FEATURES



- **Modular Platform** for easy customization
- **Integrated Temperature Sensor** for two vector measurement
- **Sensor Self-Check Mechanism** for improved product safety
- **Pre-Delivery Calibration** to your specifications
- **Multiple Communications and Mounting Options** for simplified customization



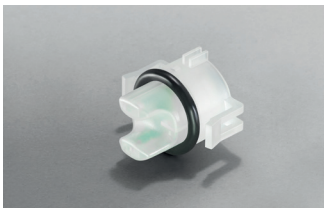
All dimensions in mm

TECHNICAL INFORMATION

Measuring range	Standard: 1 Pa – 3000 Pa Optional: 1 Pa - 5000 Pa
Sensor characteristic curve	Flexible polynomial possible
Medium	Air, water, gas
Medium temperature	-2 °C to 85 °C
Output signal	Standard: Frequency Optional: PWM, analogue voltage, BUS
Power supply	Standard: +3,3 V DC +/-0,25 V Optional: +5,0 V DC +/-0,25 V
Electrical interface	Standard: Rast 2.5+ 3 Pin Optional: Rast 2.5 3 Pin Rast 2.5 4 Pin
Dimensions (L x W x H)	44 mm x 41 mm x 58 mm

Detailed specifications are available on request

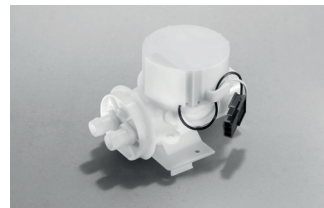
RELATED PRODUCTS



TURBIDITY SENSOR
Series 2064



3D SENSOR
Series 2062



DOSING PUMP
Series 4200

PART OF A COMPREHENSIVE APPLIANCE ECOSYSTEM

Marquardt technologies are part of an entire appliance control ecosystem that includes electronics, actuators, sensors and more. We can help you unify your components for greater efficiency and enhanced operability.