

ULTRASONIC FLOW SENSOR

MORE EFFICIENT FLOW MEASUREMENT FOR BOILERS

SERIES 2061

INTEGRATED SENSOR AND PIEZO ELEMENTS

allow for greater accuracy and multifunctional applications

CUSTOMIZABLE INTERFACE

for easy adaptation

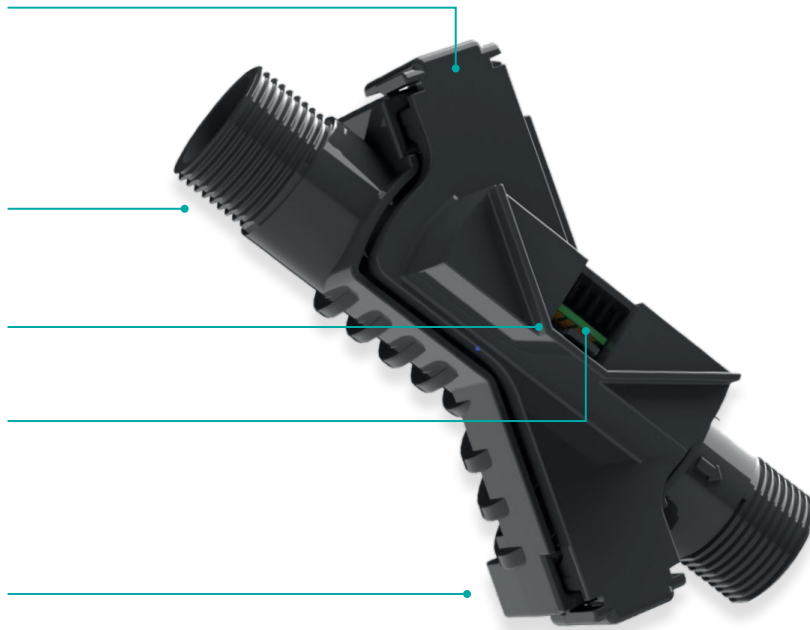
RAST 2.5 CONNECTOR

SOFTWARE-SPECIFIC CAPABILITIES

customizable to your exact requirements

COMPACT, DURABLE DESIGN

suitable for a wide range of media



THE RACE TO HOME ENERGY EFFICIENCY IS ON

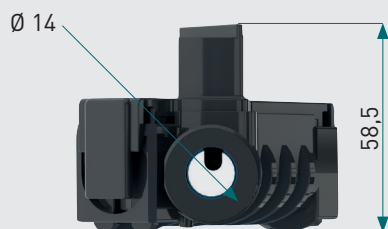
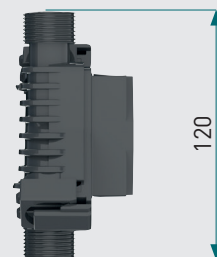
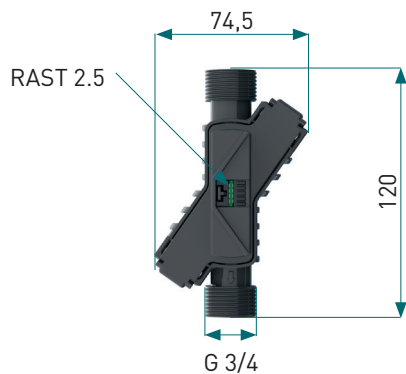
The demand for energy-efficient heating systems is expected to double by 2030. Our new Ultrasonic Flow Sensor is ready to help you meet that need, today.

This highly integrated solution provides ultra-accurate flow measurement for a wide range of media. Backflow detection, multiple diagnostic functions and an upgraded temperature sensor can also be incorporated, opening the door to remote diagnostics, preventive maintenance and more.

FEATURES



- **Fast, accurate measurement** of both flow rate and temperature
- **No moving parts**, no turbulence, virtually no pressure drop
- **Works with water**, water-glycol mixtures and liquids with particulate inclusions
- **Pre-delivery calibration** to your specifications
- **Simplified customization** options to meet your exact needs



All dimensions in mm

TECHNICAL INFORMATION FOR BOILERS

Flow rate and accuracy

15 l/h to 50 l/h
Deviation: ±10 l/h

250 l/h to 2,000 l/h
Deviation: ±2 l/h

50 l/h to 250 l/h
Deviation: ±3 l/h

Medium

Water, Water-Glycol (Mixtures up to 50% Glycol)

Medium temperature

2°C - 100°C

Power supply

Standard: +5 V DC

Pressure range

0-6 bar

Electrical interface

RAST 2.5

Communication interface

UART, LIN, Frequency

Installation orientation

Random

Detailed specifications are available on request

RELATED PRODUCTS



FLOW SENSOR
Series 2061



ULTRASONIC FLOW SENSOR
Series 2061 for Heat Pumps



PRESSURE SENSOR
Series 2066

PART OF A COMPREHENSIVE APPLIANCE ECOSYSTEM

Marquardt technologies are part of an entire appliance control ecosystem that includes electronics, actuators, sensors and more. We can help you unify your components for greater efficiency and enhanced operability.

www.marquardt.com
Marquardt GmbH
Schloss-Straße 16
78604 Rietheim-Weilheim
Germany

Check our website for your
personal sales contact.



© Marquardt 03/2023